



*A. Uberti* S.p.A.

Via Artigiani, 1 - Gardone V.T. (Brescia) - ITALY

## Instruction Manual

BEFORE REMOVING THE FIREARM FROM THIS PACKAGE,  
READ & UNDERSTAND THE PRECAUTIONS IN THE  
INSTRUCTIONS MANUAL

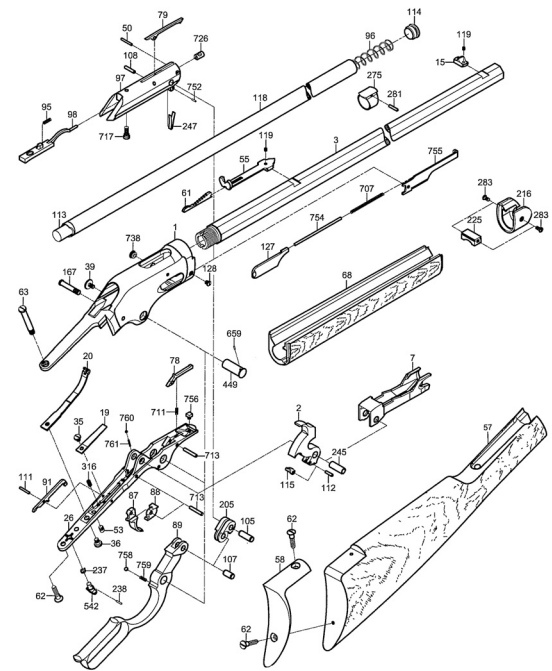
### MOD. 1883 "BURGESS"

## MOD. 1883 "BURGESS" RIFLE

N.	Code No.	Q.ty	Description	N.	Code No.	Q.ty	Description
1	2600001	1	Frame	127	2600127	1	Ladle
2	2600002	1	Hammer	128	2600128	1	Ladle Screw
3	2600003	1	Barrel 20" Cal.45	167	2600167	1	Triggerguard Screw
7	2600007	1	Cartridge Carrier	205	2600205	1	Camme
15	0202015	1	Sight	216	0242216	1	Forend Protection
19	2600019	1	Trigger Spring	225	0202225	1	Forend Protection Bearing
20	2600020	1	Mainspring	237	2600237	1	Hook Lever Spring
26	2600026	1	Triggerguard	238	2600238	1	Hook Lever Pin
35	2600035	1	Trigger Spring Screw	245	2600245	1	Distance Ring
36	2600036	1	Mainspring Screw	247	2600247	1	Breech Block Piston Spring
39	2600039	1	Lever Pin Screw	275	0202275	1	Magazine Tube Bearing
50	2600050	1	Breech Block Piston Pin	281	0202281	1	Magazine Tube Bearing Pin
53	2600053	1	Main Spring Screw	283	0202283	2	Forend Protection Screw
55	0242055	1	Rear Assembly	316	2600316	1	Safety Spring
57	2600057G	1	Rough Butt Stock	449	2600449	1	Lever Pin
57	2600057	1	Polished Butt Stock and Plate	542	2600542	1	Hook Lever
58	0242058G	1	Rough Butt Plate	659	0850659	1	Lever Pin Peg
61	0242061	1	Rear Sight Ramp	707	2600707	1	Ladle Spring
62	0200062	3	Butt Plate Screw	711	2600711	1	Cartridge Stop Spring
63	2600063	1	Tang Screw	713	2600713	2	Cartridge Stop Pin
68	2600068G	1	Rough Forend 20"	717	2600717	1	Firing Pin Screw
68	2600068	1	Polished Forend 20"	726	2600726	1	Breech Block Piston
78	2600078	1	Cartridge Stop	738	2600738	1	Plug Frame Screw
79	2600079	1	Extractor	752	0850635	1	Breech Block Piston Spring Pin
87	2600087	1	Trigger	754	2600754	1	Ladle Pin
88	2600088	1	Plain Sear	755	2600755	1	Ladle Support
89	2600089	1	Lever	756	2600756	1	Cartridge Carrier Stop Nut
91	2600091	1	Safety Bar	758	0240284	1	Lever Sphere
95	2600095	1	Firing Pin Spring	759	2600759	1	Lever Sphere Spring
96	0230096	1	Magazine Spring 20"	760	0238545	1	Cartridge Carrier Sphere
97	2600097	1	Breech Block	761	2600761	1	Cartridge Carrier Sphere Spring
98	2600098	1	Firing Pin				
105	2600105	1	Camme Pin				
107	2600107	1	Lever Pin				
108	2600108	1	Extractor Pin				
111	2600111	1	Safety Bar Pin				
112	2600112	1	Hammer Stirrup Pin				
113	2600113	1	Magazine Follower				
114	0230114	1	Magazine Tube Plug				
115	0200115	1	Hammer Stirrup				
118	2600118	1	Magazine Tube 20"				
119	0400692	2	Locking Screw				

#### ALTERNATIVES

3	2601003	1	Barrel 20" Cal.44/40
3	2604003	1	Barrel 25 1/2" Cal.45
3	2605003	1	Barrel 25 1/2" Cal.44/40
68	2604068G	1	Rough Forend 25 1/2"
68	2604068	1	Polished Forend 25 1/2"
96	0232096	1	Magazine Spring 25 1/2"
118	2604118	1	Magazine Tube 25 1/2"



#### SPECIAL SAFETY INSTRUCTIONS

- 1) Uberti lever action rifles should never be carried with a cartridge in the chamber.
- 2) Carrying this style of rifle with a cartridge in the chamber can result in an accidental discharge if the firearm is accidentally dropped or if the hammer is struck.
- 3) The lever locking mechanism is designed to prevent an accidental discharge. However, no mechanical device is foolproof and, accordingly, these procedures must be followed.
- 4) Due to the fact that in a tubular magazine rifle the cartridges are stacked one behind the other, only factory ammunition should be used.
- 5) We recommend against using old ammunition in these rifles as primers, powder and brass cartridge cases can deteriorate and cause damage to the rifle or injury to the shooter or others.
- 6) Uberti assumes no liability for incidents occurring through the use of reloaded ammunitions.  
Use **ONLY COMMERCIALY** loaded cartridges that have been loaded in accordance with SAAMI-C.I.P. standards.

#### TO LOAD THE FIREARM

- (1) Turn the lever locking latch (Fig. 1) to the release position (Fig. 2). Releasing the latch should allow the lever to go down approximately 1/4". Do not push the lever forward.



Fig. 1



Fig. 2

- (2) Load the tubular magazine by pressing the cartridge into the ladle, which is located on the right side of the receiver. Push the cartridge forward and insert it into the tubular magazine (Fig. 3).



Fig. 3

Do not insist on feeding cartridges in to the magazine when it is almost full. If you are finding it difficult, just stop.

- (3) When you are ready to actually fire the firearm, the lever is pushed forward as far as it will go and is then pulled straight back. Your finger should **NOT TOUCH THE TRIGGER** while manipulating the lever. (Fig. 4).



Fig. 4

The rifle will now be fully cocked and will fire when the trigger is pulled. If the lever does not go forward, release the loading lever latch by turning the small knob perpendicular to the rifle.

- (4) These firearms have been equipped with an additional safety system (Fig. 5), which should prevent the firearm from firing until the lever is squeezed flush with the frame. This safety, however, is not designed to replace basic safe firearms handling (Fig. 6). Accordingly, **NEVER** touch the trigger until you intend to fire.

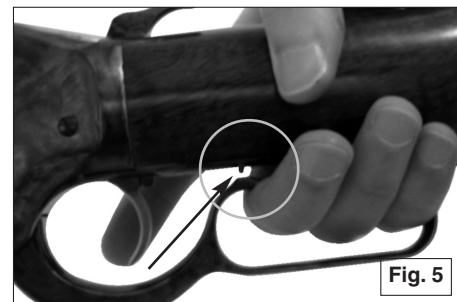


Fig. 5



Fig. 6

- (5) After you have fired the first shot, the next cartridge is loaded by repeating step 3.

#### UNLOADING THE FIREARM

- (6) To unload the firearm it is essential that the lever not be squeezed flush with the frame, as doing so would disengage the safety lock.

- (7) With the firearm pointed in a safe direction, place your fingers through the rear portion of the loading lever. Be sure your first and second fingers are inside the lever loop. **DO NOT TOUCH THE TRIGGER**. Then push the lever straight forward and then pull it back. The cartridge that was in the chamber should be automatically ejected by the firearm and another cartridge from the magazine will be automatically loaded into the firearm. (Fig. 7).



Fig. 7

- (8) Repeat step 7 until all cartridges have been ejected from the firearm. After all cartridges have been ejected, cycle the action four or five more times as described in step 7 as an added precaution to assure that all rounds were ejected.
- (9) After step 8, move the lever to the forward position while visually inspecting **both the chamber and the carrier block**, to confirm that no cartridges are still in the firearm.
- (10) Pull the lever to the rear, squeeze the loading lever flush with the frame and with your thumb on the hammer, pull the trigger and with your thumb slowly lower the hammer.
- (11) We suggest, when the firearm is not in use, that the loading lever locking mechanism be left disengaged.