

CIMARRON F. A. CO



Dear valued customer, please read this page concerning the Cimarron Firearms safety on various models and the instruction manual prior to loading and shooting this firearm..

***ALL CIMARRON CARTRIDGE REVOLVERS UTILIZE A HAMMER BLOCK SAFETY SYSTEM.
(LIGHTNING, MODEL P, CUSTER CAVALRY, THUNDERER, ARTILLERY, SHERIFF'S MODEL)***

ALL MODEL 'P', MODEL 'P' JR., THUNDERER AND LIGHTNING REVOLVERS MANUFACTURED FOR CIMARRON BY UBERTI UTILIZE AN ELONGATED CYLINDER BASE PIN WHICH FUNCTIONS AS THE HAMMER BLOCK SAFETY. THIS IS A FEATURE ON BOTH THE OLD MODEL (BLACK POWDER) FRAMES AS WELL AS THE MODERN FRAME (WITH SPRING LOADED CROSS PIN RELEASE). *ALWAYS POINT THE MUZZLE IN A SAFE DIRECTION. WHILE WORKING ON THE GUN, ALWAYS LET THE HAMMER REST IN SAFE POSITION (FIRST CLICK) ON AN EMPTY CHAMBER AND HANDLE ALL FIREARMS AS IF THEY ARE LOADED.*

WARNING: THE CYLINDER BASE PIN HAMMER BLOCK AND HAMMER SAFETY NOTCH WORK TOGETHER TO PREVENT THE FIREARM FROM ACCIDENTALLY DISCHARGING IF DROPPED. BOTH MUST BE ACTIVE. DO NOT COCK AND FIRE YOUR SINGLE ACTION WITH THE CYLINDER BASE PIN SAFETY ACTIVATED. THIS MAY DAMAGE THE CYLINDER PIN BASE SAFETY. THE CYLINDER BASE PIN SAFETY ALONE MAY NOT PREVENT A LOADED GUN FROM FIRING.

NEW MODEL STYLE FRAME: (MODEL 'P', MODEL 'P' JR., LIGHTNING AND SHERIFF'S MODEL) WITH GUN UNLOADED ACTIVATE THE SAFETY BY PLACING THE HAMMER IN THE SAFETY NOTCH POSITION. MOVE THE HAMMER REARWARD UNTIL YOU HEAR THE 1ST CLICK. WHEN IN THE PROPER POSITION THE HAMMER WILL REST 1/8 TO 1/4 INCH FROM THE FRAME. NEXT DEPRESS THE SPRING LOADED CROSS PIN (CYLINDER BASE PIN RELEASE). THE CYLINDER BASE PIN CAN NOW BE MOVED. NOW YOU MUST PUSH THE CYLINDER BASE PIN INTO THE FRAME AS FAR AS IT WILL GO. THE STOP RING OR HEAD OF THE CYLINDER BASE PIN WILL REST AGAINST THE FRONT OF THE FRAME AND THE OPPOSITE END OF THE CYLINDER BASE PIN WILL REST AGAINST THE FRONT OF THE HAMMER. NOW RELEASE THE SPRING LOADED CYLINDER PIN RELEASE AND THE SAFETY FEATURE IS ACTIVE. (SEE FIG. 1-4 ON REVERSE SIDE)

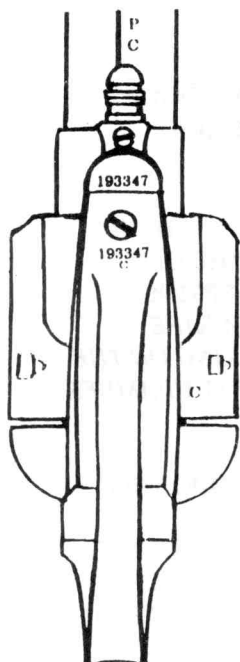
OLD MODEL OR BLACK POWDER FRAME: (MODEL P, THUNDERER, CUSTER CAVALRY, ROUGH RIDER ARTILLERY, SHERIFF'S MODEL) YOUR MODEL P 'OLD MODEL' COMES WITH TWO CYLINDER BASE PIN SCREWS. ONE IS THE ORIGINAL TYPE SLOTTED SCREW AND THE OTHER IS A KNURLED THUMB SCREW FOR EASY SETTING OF THE SAFETY. THE CHOICE IS YOURS. FIRST LOOSEN THE CYLINDER BASE PIN RETAINING SCREW IN THE FRAME. WITH THE REVOLVER UNLOADED AND HAMMER FORWARD AGAINST THE FRAME. PLACE THE HAMMER IN THE SAFETY NOTCH POSITION BY MOVING THE HAMMER REARWARD UNTIL YOU HEAR THE 1ST CLICK. WHEN IN THE PROPER POSITION THE HAMMER WILL REST 1/8 TO 1/4 INCH FROM THE FRAME. NOW YOU MUST PUSH THE CYLINDER BASE PIN INTO THE FRAME AS FAR AS IT WILL GO. THE STOP RING OR HEAD OF THE CYLINDER PIN WILL BE AGAINST THE FRONT OF THE FRAME. THE OTHER END OF THE CYLINDER BASE PIN WILL REST AGAINST THE FRONT OF THE HAMMER. NOW YOU MUST TIGHTEN THE CYLINDER BASE PIN SCREW. THE SAFETY IS NOW ACTIVE. (SEE FIG. 1-4 ON REVERSE SIDE)

DO NOT DRY FIRE YOUR SINGLE ACTION WITH THE SAFETY ON! THIS WILL DAMAGE THE SAFETY!

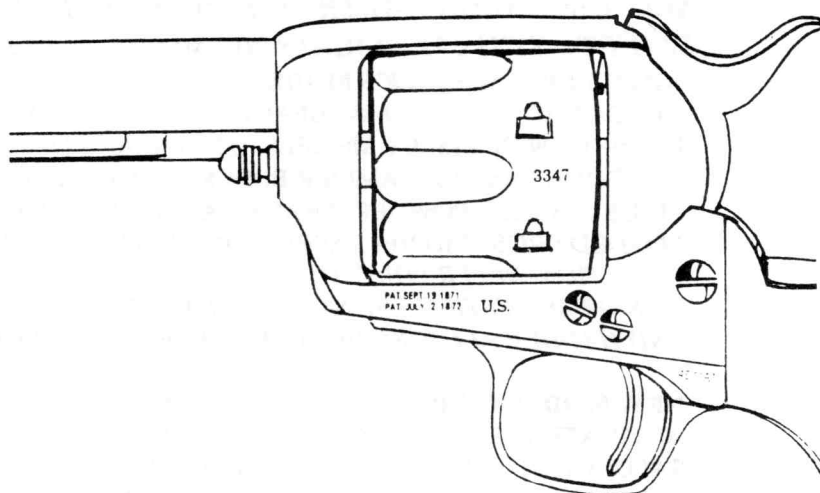
BISLEY MODELS ALWAYS POINT THE MUZZLE DOWN RANGE IN A SAFE DIRECTION. NEVER POINT THE MUZZLE IN AN UNSAFE DIRECTION WHILE WORKING ON THE GUN. TO ACTIVATE THE SAFETY ALWAYS LOWER THE HAMMER ON AN EMPTY CHAMBER. THEN MOVE THE HAMMER BACK UNTIL YOU HEAR THE 1ST CLICK, LOWER THE HAMMER INTO THE SAFETY NOTCH AND THE HAMMER SHOULD BE RESTING ABOUT 1/4 INCH FROM THE FRAME. IF THE FOREGOING CONDITIONS ARE PRESENT. THE SAFETY IS NOW ACTIVATED.

SEE ILLUSTRATIONS ON REVERSE SIDE

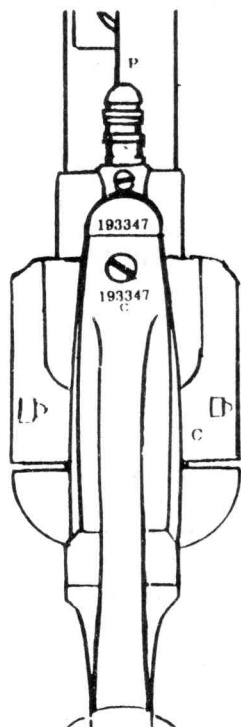
**ALL ILLUSTRATIONS ARE APPROXIMATE
SETTING THE BASE PIN IMPROPERLY WILL RESULT IN DAMAGE TO THE
BASE PIN AND THE RETAINING SYSTEM AND IS NOT A "WARRANTY" ISSUE.**



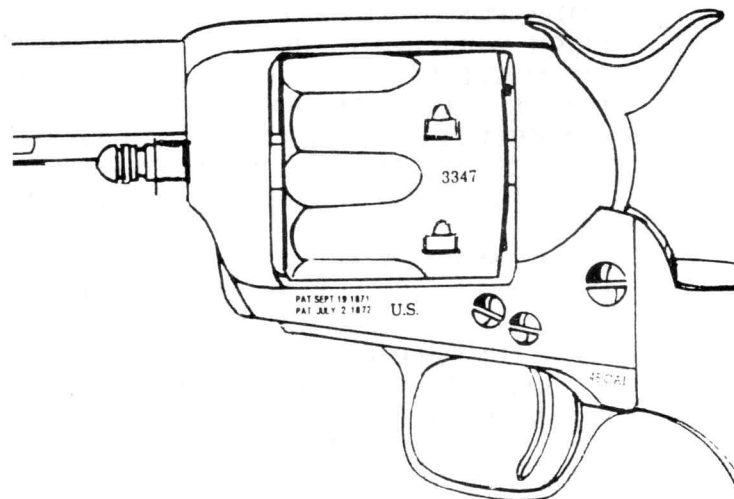
**Fig. 1-Base Pin set
In the "SAFE" position
Bottom View**



**Fig. 2-Base Pin set in
the "SAFE" position
Hammer clicked back
in the "SAFE" position
Side View**



**Fig. 3-Base Pin set in
the "FIRE" position
Bottom View**



**Fig. 4-Base Pin set in
the "FIRE" position
Side View**